

Enersave Plus (23-2.908kW)

High performance steel boilers, function on gas or liquid fuels



- ✓ Pressurized steel boiler for function on gas or liquid fuels;
- ✓ Cylindric boiler body, big fire chamber, improved heat exchanger surfaces, fire tubes with turbinators;
- ✓ Robust construction with quality control at every production step;
- ✓ High efficiency >91,5%;
- ✓ Exhaust gas temperature at chimney exit 210-220°C;
- ✓ Working temperature 3-4 bar. For bigger working pressure (max 6 bar), price is increased by 4% for every supplementary bar;
- ✓ Perfect compatibility with gas or oil burners Bentone or Riello;
- ✓ Tested and certified in conformity with standard EN-303 by ISCIR CERT (1798).

Enersave Plus

...keeps up with the requirements!

Control panel EN/1 for one-stage burner
Control panel EN/2 for two-stage burner

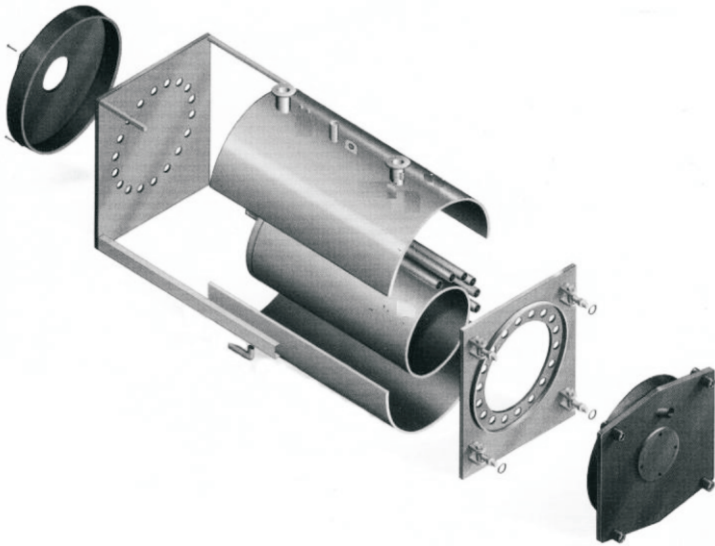
Type	Power		Dimensions [mm]			Chimney mm	Max pres. bar	Fire chamber ØxL mm	Connections inch	Weight kg
	kcal/h	kW	Lung.	Lăt.	Înălț.					
ENP 20	20.000	23	700	700	870	139	3	312x300	1 ¼"	158
ENP 30	30.000	35	800	700	870	139	3	312x400	1 ¼"	179
ENP 40	40.000	47	900	700	870	139	3	312x500	1 ¼"	197
ENP 50	50.000	58	1.000	700	870	139	3	312x600	1 ¼"	220
ENP 60	60.000	69	1.010	790	1.010	139	3	360x550	1 ½"	271
ENP 70	70.000	81	1.110	790	1.010	159	3	360x650	1 ½"	308
ENP 80	80.000	93	1.210	790	1.010	159	3	360x750	1 ½"	416
ENP 100	100.000	116	1.350	900	1.110	159	3	470x800	2"	439
ENP 120	120.000	140	1.450	900	1.110	159	3	470x900	2"	465
ENP 140	140.000	163	1.550	900	1.110	193	3	470x1.000	2"	502
ENP 160	160.000	186	1.700	900	1.110	193	3	470x1.150	2"	538
ENP 180	180.000	209	1.600	1.040	1.240	193	3	540x900	2 ½"	687
ENP 200	200.000	233	1.600	1.040	1.240	193	3	540x900	2 ½"	747
ENP 220	220.000	256	1.850	1.040	1.240	244	3	540x1.100	2 ½"	782
ENP 250	250.000	291	1.850	1.040	1.240	244	3	540x1.100	2 ½"	805
ENP 300	300.000	349	2.100	1.040	1.240	293	3	540x1.350	3"	885
ENP 350	350.000	407	1.850	1.290	1.545	293	4	700x1.100	3"	1.518
ENP 400	400.000	465	1.850	1.290	1.545	343	4	700x1.100	DN 100	1.529
ENP 450	450.000	522	2.150	1.290	1.545	343	4	700x1.350	DN 100	1.587
ENP 500	500.000	581	2.150	1.290	1.545	343	4	700x1.350	DN 100	1.598
ENP 550	550.000	637	2.450	1.290	1.545	343	4	700x1.350	DN 100	1.621
ENP 600	600.000	698	2.450	1.290	1.545	343	4	700x1.550	DN 100	1.690
ENP 650	650.000	756	2.700	1.290	1.545	343	4	700x1.800	DN 100	1.817
ENP 700	700.000	814	2.450	1.540	1.935	343	4	782x1.300	DN 125	2.250
ENP 750	750.000	872	2.450	1.540	1.935	343	4	782x1.300	DN 125	2.490
ENP 800	800.000	930	2.700	1.540	1.935	395	4	782x1.550	DN 125	2.510
ENP 900	900.000	1.047	2.900	1.540	1.935	395	4	782x1.800	DN 125	2.620
ENP 1.000	1.000.000	1.163	2.900	1.540	1.935	395	4	782x1.800	DN 125	2.710
ENP 1.100	1.100.000	1.279	3.150	1.540	1.935	395	4	782x2.050	DN 150	2.880
ENP 1.200	1.200.000	1.396	3.150	1.540	1.935	395	4	782x2.050	DN 150	2.980
ENP 1.300	1.300.000	1.453	3.150	1.540	1.935	485	4	782x2.050	DN 150	3.090
ENP 1.400	1.400.000	1.628	3.550	1.540	1.935	485	4	782x2.350	DN 150	3.220
ENP 1.500	1.500.000	1.740	3.550	1.540	1.935	485	4	782x2.350	DN 150	3.360
ENP 1.650	1.650.000	1.919	3.800	1.540	1.935	485	4	782x2.500	DN 150	3.650
ENP 1.800	1.800.000	2.092	3.100	1.800	2.300	580	4	1.164x2.200	DN 150	4.200
ENP 2.000	2.000.000	2.326	3.400	1.800	2.300	580	4	1.164x2.500	DN 150	4.400
ENP 2.300	2.300.000	2.675	3.700	1.800	2.300	580	4	1.164x2.700	DN 150	5.150
ENP 2.500	2.500.000	2.908	4.000	1.800	2.300	580	4	1.164x2.950	DN 200	5.700

*Control panel is not included in the price.

Modular-X (116-756kW)

Steel boiler Enersave modular, for assembly within the boiler room

...suitable for function with gas or liquid fuels



Steel boilers Enersave Modular-X are designed for spaces with reduced access, where it is not possible delivery of a normal boiler.

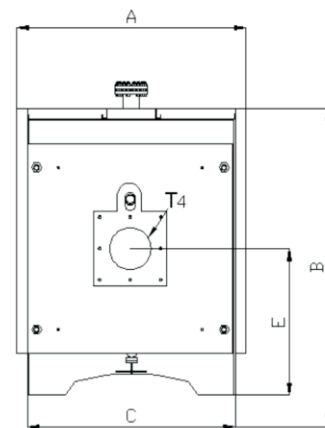
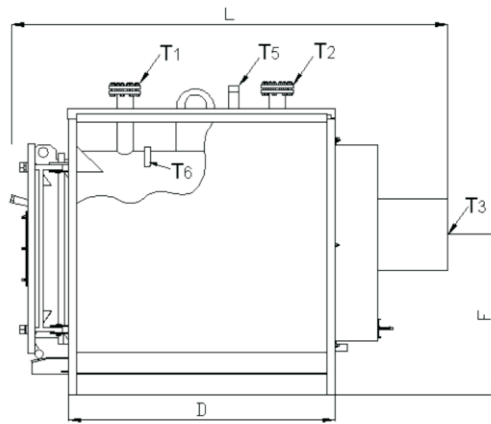
The boiler is delivered unassembled, for easy manipulation.

These boilers have the same function characteristics, working temperature and maximum pressure like the Enersave series.

The boiler assembly and welding must be performed by specialized personnel, after which a hydraulic pressure test and leakage control is obligatory.

All boiler components are included in the price, insulation and metal covers.

Price does not include assembly, welding and test operations.

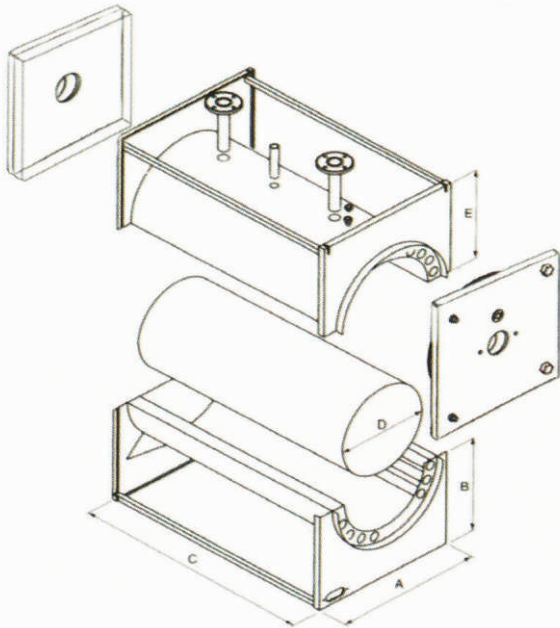


Type	Power		Dimensions										
	kcal/h	kW	A mm	B mm	C mm	D mm	E mm	F mm	L mm	T1-T2 inch	T3 mm	T4 mm	T5 inch
MX 100	100.000	116	790	1.015	685	860	495	635	1.350	1"	159	132	1/2"
MX 120	120.000	140	790	1.015	685	960	495	635	1.450	2"	159	132	1/2"
MX 140	140.000	163	900	1.110	795	965	540	655	1.550	2"	193	151	1 3/4"
MX 160	160.000	186	900	1.110	795	1.065	540	655	1.700	2"	193	151	1 3/4"
MX 180	180.000	209	900	1.110	795	1.165	540	655	1.600	2 1/2"	193	151	1 3/4"
MX 200	200.000	233	900	1.110	795	1.315	540	655	1.600	2 1/2"	193	151	1 3/4"
MX 220	220.000	256	1.040	1.240	950	1.060	640	790	1.850	2 1/2"	244	185	1 3/4"
MX 250	250.000	291	1.040	1.240	950	1.310	640	790	1.850	2 1/2"	244	185	1 3/4"
MX 300	300.000	349	1.040	1.240	950	1.560	640	790	2.100	3"	293	185	1 3/4"
MX 350	350.000	407	1.040	1.240	950	1.560	640	790	1.850	3"	293	185	1 3/4"
MX 400	400.000	522	1.290	1.545	1.170	1.340	750	980	1.850	DN100	343	260	1 3/4"
MX 450	450.000	523	1.290	1.545	1.170	1.340	750	980	2.150	DN100	343	260	1 3/4"
MX 500	500.000	581	1.290	1.545	1.170	1.590	750	980	2.150	DN100	343	260	1 3/4"
MX 550	550.000	637	1.290	1.545	1.170	1.840	750	980	2.450	DN100	343	260	1 3/4"
MX 600	600.000	698	1.290	1.545	1.170	2.090	750	980	2.700	DN125	343	260	1 3/4"
MX 650	650.000	756	1.290	1.545	1.170	2.090	750	980	2.700	DN125	343	260	1 3/4"

*Bigger boilers on demand.

Modular-F (116-756kW)

Steel boiler Enersave modular delivered in halves



...suitable for function with gas or liquid fuels

Steel boilers Enersave Modular-X are designed for spaces with reduced access, where it is not possible delivery of a normal boiler.

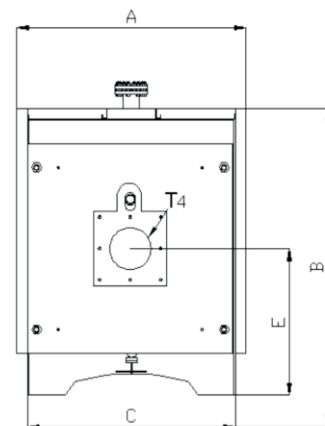
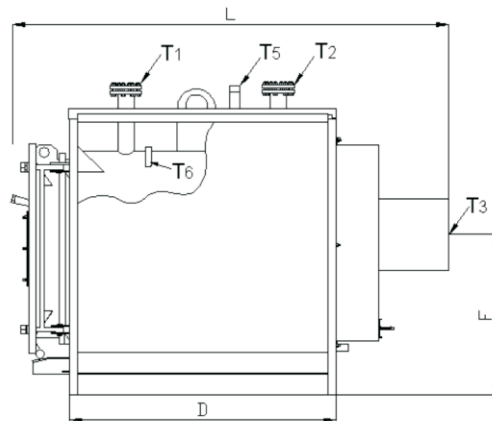
Modular-F boilers are welded and tested Enersave boilers, and afterwards cut in half for delivery. The fire chamber is delivered uncut, as shown on the design.

These boilers have the same function characteristics, working temperature and maximum pressure like the Enersave series.

The boiler assembly and welding must be performed by specialized personnel, after which a hydraulic pressure test and leakage control is obligatory.

All boiler components are included in the price, insulation and metal covers.

Price does not include assembly, welding and test operations.



Type	Power		Dimensions										
	kcal/h	kW	A mm	B mm	C mm	D mm	E mm	F mm	L mm	T1-T2 inch	T3 mm	T4 mm	T5 inch
MF 100	100.000	116	790	1.015	685	860	495	635	1.350	1"	159	132	1/2"
MF 120	120.000	140	790	1.015	685	960	495	635	1.450	2"	159	132	1/2"
MF 140	140.000	163	900	1.110	795	965	540	655	1.550	2"	193	151	1 3/4"
MF 160	160.000	186	900	1.110	795	1.065	540	655	1.700	2"	193	151	1 3/4"
MF 180	180.000	209	900	1.110	795	1.165	540	655	1.600	2 1/2"	193	151	1 3/4"
MF 200	200.000	233	900	1.110	795	1.315	540	655	1.600	2 1/2"	193	151	1 3/4"
MF 220	220.000	256	1.040	1.240	950	1.060	640	790	1.850	2 1/2"	244	185	1 3/4"
MF 250	250.000	291	1.040	1.240	950	1.310	640	790	1.850	2 1/2"	244	185	1 3/4"
MF 300	300.000	349	1.040	1.240	950	1.560	640	790	2.100	3"	293	185	1 3/4"
MF 350	350.000	407	1.040	1.240	950	1.560	640	790	1.850	3"	293	185	1 3/4"
MF 400	400.000	522	1.290	1.545	1.170	1.340	750	980	1.850	DN100	343	260	1 3/4"
MF 450	450.000	523	1.290	1.545	1.170	1.340	750	980	2.150	DN100	343	260	1 3/4"
MF 500	500.000	581	1.290	1.545	1.170	1.590	750	980	2.150	DN100	343	260	1 3/4"
MF 550	550.000	637	1.290	1.545	1.170	1.840	750	980	2.450	DN100	343	260	1 3/4"
MF 600	600.000	698	1.290	1.545	1.170	2.090	750	980	2.700	DN125	343	260	1 3/4"
MF 650	650.000	756	1.290	1.545	1.170	2.090	750	980	2.700	DN125	343	260	1 3/4"

*Bigger boilers on demand.